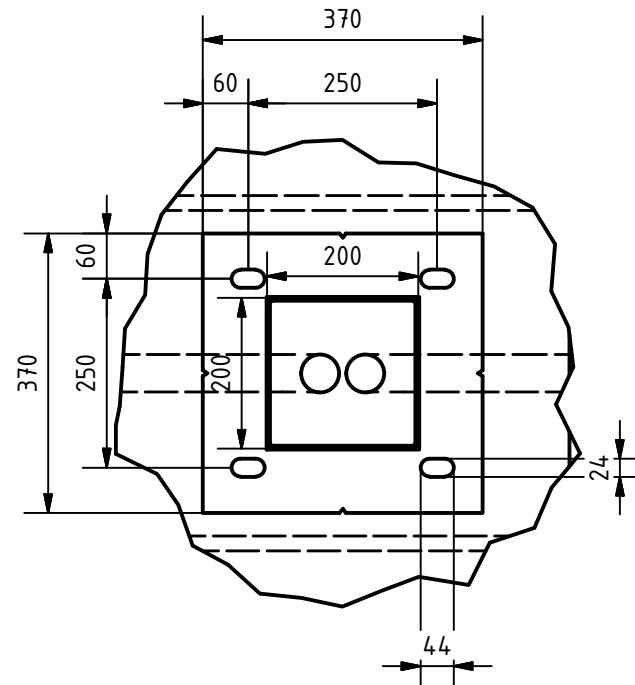
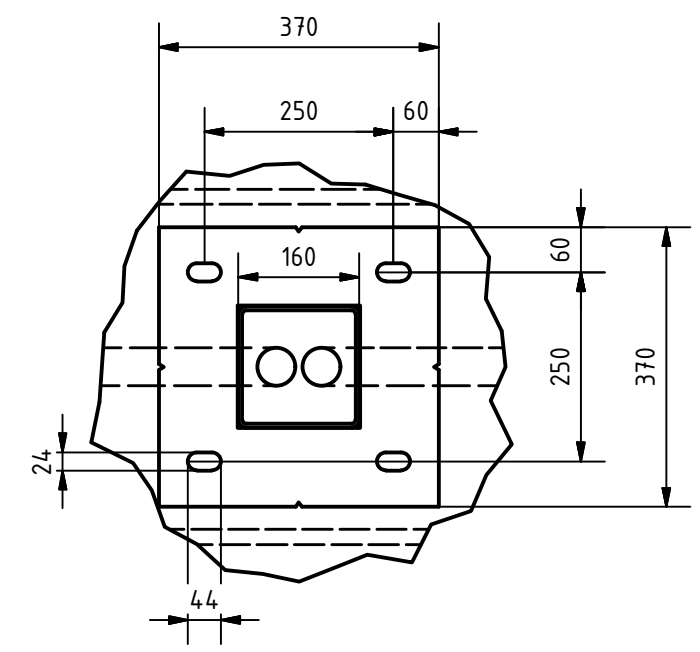


A ( 1:10 )

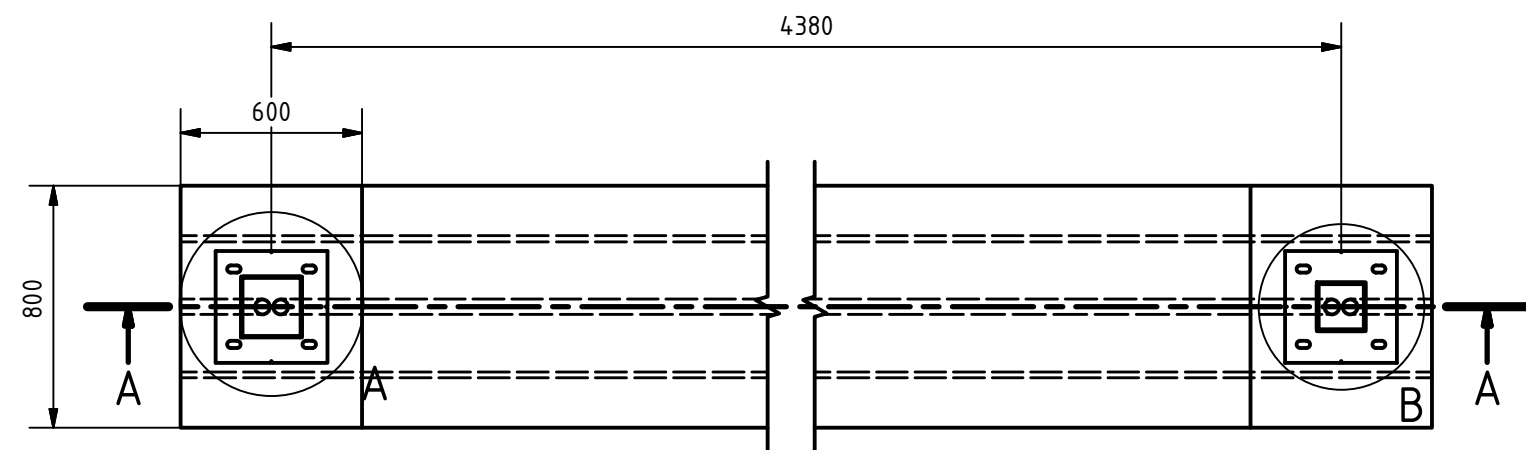


Main post baseplate

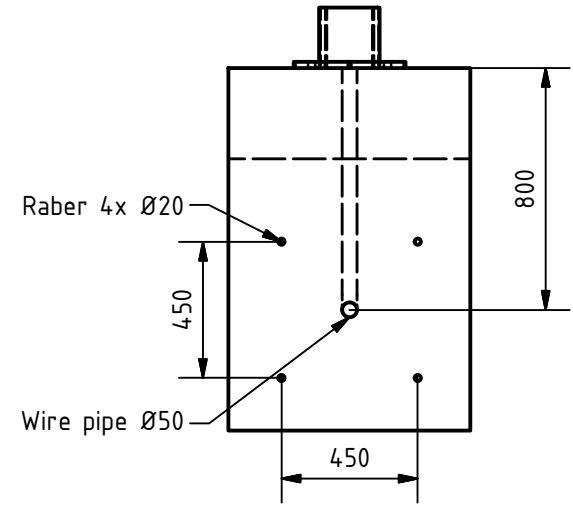
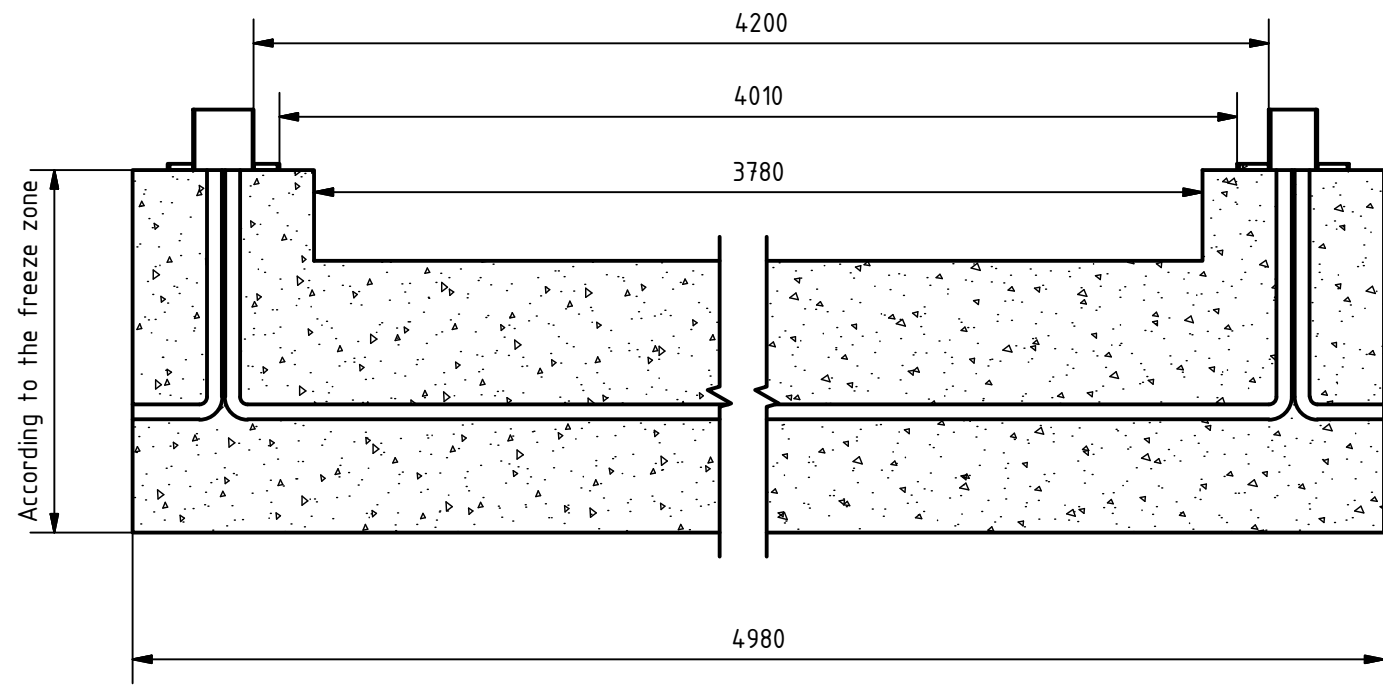
B ( 1:10 )




Passive post baseplate



A-A ( 1:25 )



1. All dimensions in mm.
2. Prepare foundation with concrete class C25. Concrete must be reinforced with reinforcement bars or fibres and flat on top.
3. For gate installation put gateposts baskets inside concrete or use anchors M20x400 or longer. Anchors must be over concrete surface 70mm minimum.
4. Expected concrete capacity 7 m<sup>3</sup>.
5. Placing gate on or in foundation depending on detailed gate size - to be chosen on installation site.
6. This is suggested foundation plan. Dimensions, reinforcement, anchoring.

Designed by K. Kowalski	Edited by -	Order number -	Date 02.02.2018	Format A3	Scale 1:25
Remarks -				Material C25	
				Drawing Foundation plan Valhalla 1FW 4000	
				Number 0359.10.A	