



FACTORY • LOGISTICS
INFRASTRUCTURE • TRANSPORT
PUBLIC SPACES • BUILDINGS

CANTILEVER SLIDING GATE

ACCESS CONTROL

THOR

Cantilever sliding gate for industrial applications.



Motorised or manual version in hot dip galvanised steel. Powder coated version available as an option.

ADVANTAGES

CONSTRUCTION

THE WING

The Thor cantilever sliding gate has been developed for the Nordic climate. It is a fully welded construction with an under beam made of specific C-profile. The welded gate frame consists of a square or rectangular horizontal tube and vertical square tubes. The infill consists of welded vertical square tubes with a maximum distance between the bars of 100 mm. Prepared for 3 lines of barbed wire as an option. Dimensions: see Technical Description.

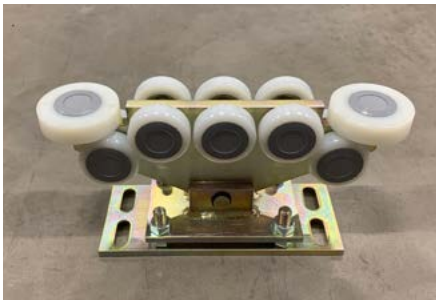
THE GUIDE POST AND END POST

The standard double sided end post is made of square tube and is equipped with a catcher and base to guide and support the wing when the gate is closed.

Guide post for automatic gates is equipped with coated steel cabinet to protect all electric connections and electronic devices



Electrical cabinet equipped with a Halsang H102 controller and frequency modulators



Roller set.



Motorisation Sleipner and heating element.



Dust and snow protection for the cabinet.

GUIDE ROLLER SETS AND GUIDE ROLLERS

The wing is supported and guided by 2 roller sets with ball bearings, integrated in the under-beam. One roller set is mounted on the base plate of the guide post and the second independent roller set is installed at the rear end of the foundation. Both roller sets support the under-beam in order to guarantee perfect guiding of the gate wing.

Lateral guiding of the wing is done by 2 horizontal guide rollers with ball bearings; guide on the top of the guide post.

All rollers are made of high quality Polyamide. The material guarantees longevity and silent running of the gate wing.

DURABILITY

The gate posts are manufactured in hot dip galvanised + RAL coated, high grade steel (in accordance with EN ISO 1461) and the gate wings are manufactured in RAL powder coated aluminum. The construction is very robust and the gates are developed for the Nordic climate.

COATING

Posts and wing are hot dip galvanised or additionally powder coated. The standard colors are RAL 9007, RAL 9005, RAL 6005. Other colours are available on request.

For automatic versions, the cabinet for electronic devices is powder coated in standard colour RAL 9007.

Hot Dip Galvanised Hot dip galvanised according to EN-ISO 1461.

Powder coating Posts and wing can be polyester powder coated as an option.

Thickness of powder coating: between 60 µm and 80 µm.

MODE OF OPERATION

Motorized with Halsang Sleipner control, incl frequency modulator with soft start and stop for optimal operation. Fully pre-assembled when delivered, allowing an easy and fast installation on site. Opening/closing speed: 0,4 meter/second.

Steering and electronics installed in a full height cabinet. TÜV approved and in accordance with EN 13241-1.

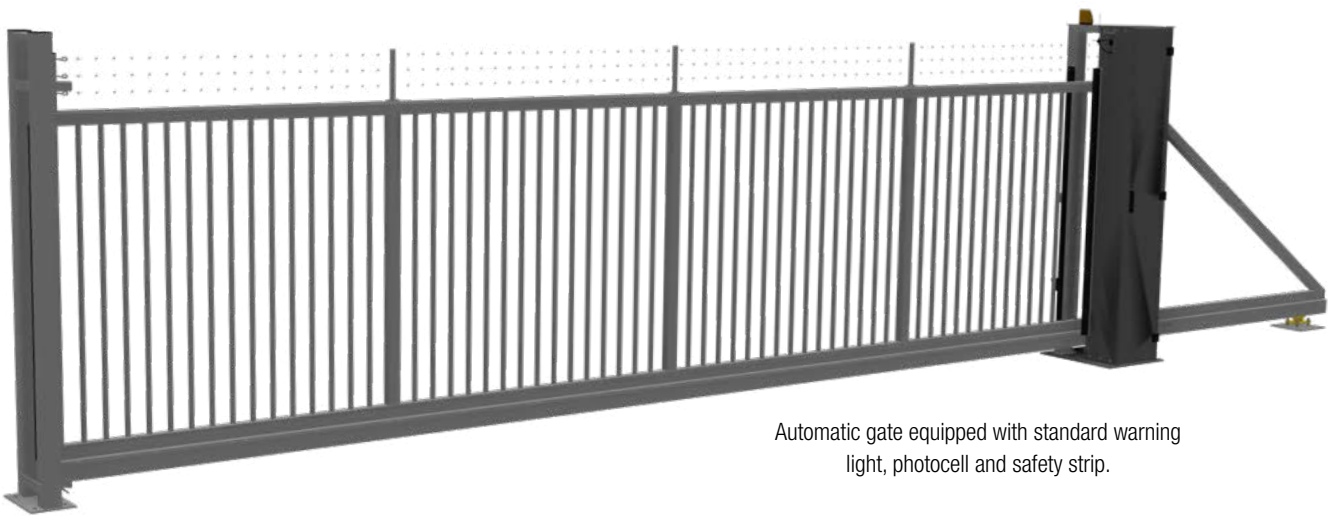
For manual versions, the gates are equipped with a special lock for sliding gates made by Locinox.

FEATURES

- Completely welded steel construction in HDG version;
- Square tube infill as standard 25x25x2mm
- Easy access to the cabinet (coated in RAL 9007) for service and maintenance
- Extra external support roller for openings above 6m
- Max standard opening width 12m
- Max standard height 2.4m
- TÜV approved and in accordance with EN 13241-1
- Other dimensions on request



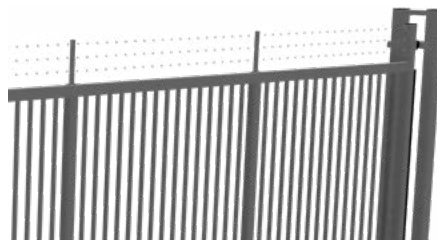
THOR



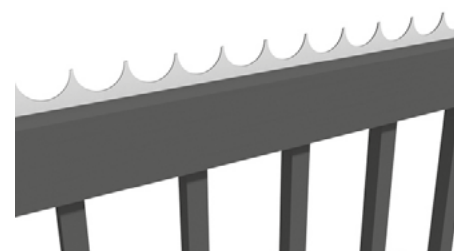
Automatic gate equipped with standard warning light, photocell and safety strip.



Wing equipped with support roller. Lower catcher allows the correct weight distribution of the gate when closed.



Gate with barbed wire.



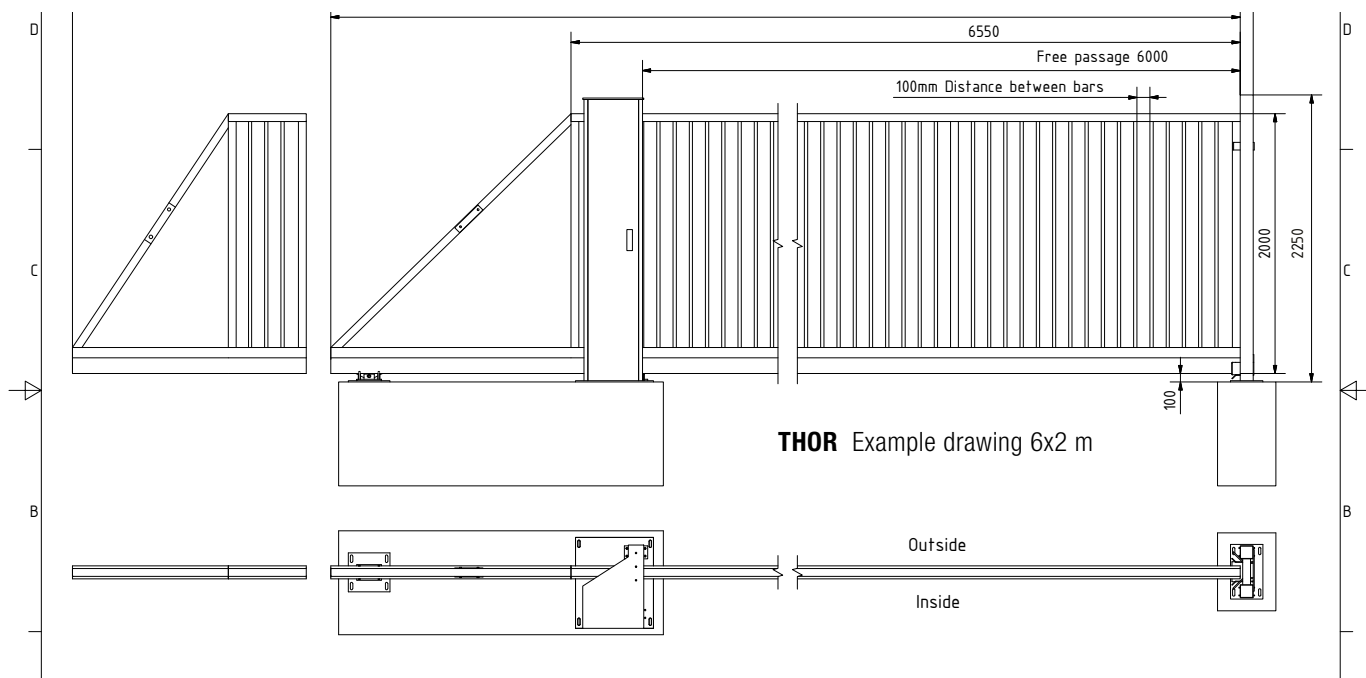
Gate with toothed strip.



Control cabinet with photocell.



Tension bolt for easy adjustment of the gate.



OPTIONS

- Overclimbing protection – toothed strip on top of the leaf
- Halsang Monitoring system
- Fencing connection on posts
- Induction loop detectors
- Powder coated in RAL paint colours.
- Special infill upon request
- Key switch
- Traffic light
- Illumination of free passage
- Others

TECHNICAL DESCRIPTION

Power supply voltage	230V AC, 50 Hz
Power consumption	1,000 W
Current	16A
Feedback signal	Potential free contact – no/nc
Opening signal	Signal (max. 1 sec)
Operation environment	-25° to +50° C

Opening	4.0 to 5.5 m	6.0 to 9.5 m	10.0 to 12.0 m
---------	--------------	--------------	----------------



	Profile	Profile	Profile
Lower gate frame	80x60x3 mm	80x60x3 mm	120x80x3 mm
	Welded with	Welded with	Welded with
Under beam	120x100x5 mm	120x100x5 mm	120x100x5 mm
Frame	60x60x2	80x60x2	120x80x3
Frame infill	25x25x2	25x25x2	25x25x2
Distance between bars	max 100 mm	max 100 mm	max 100 mm
Guide post	100x100x3 mm	100x100x3 mm	100x100x3 mm
End post	100x100x3 mm	100x100x3 mm	100x100x3 mm