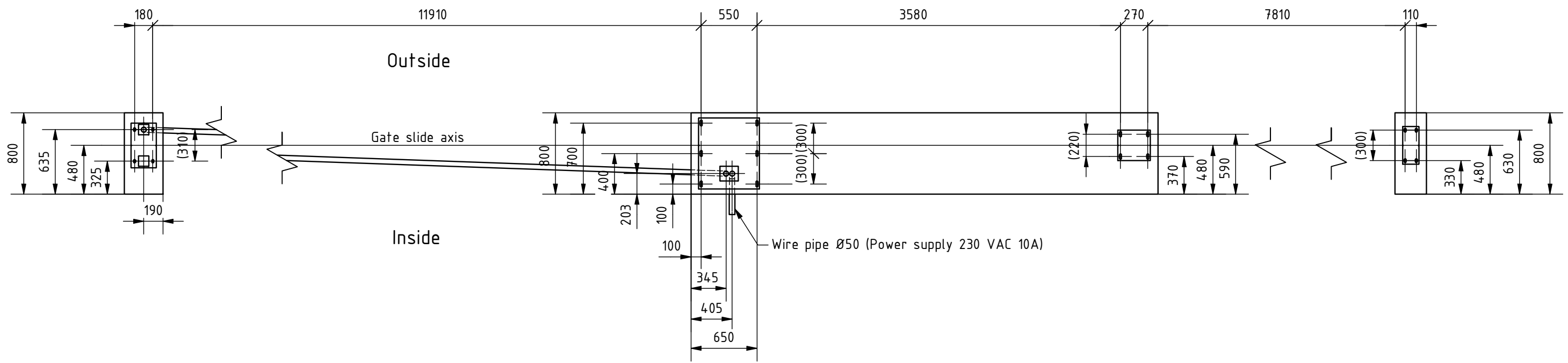
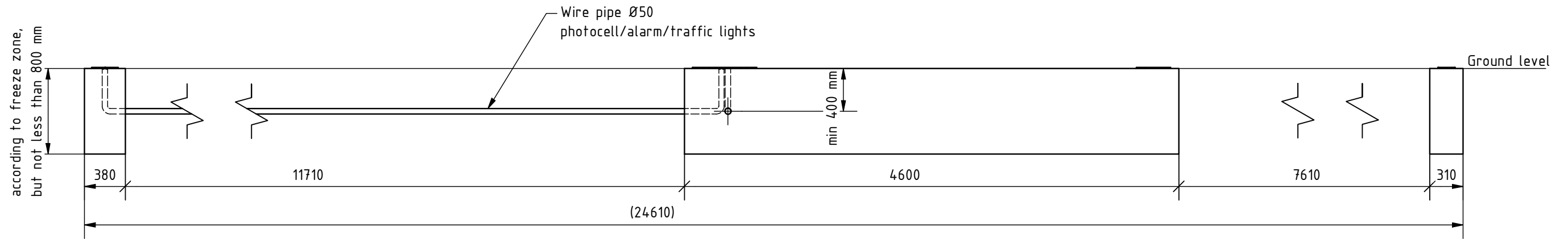


Remarks:

1. All dimensions in mm.
2. Side view of foundations is from inside of property.
3. Prepare foundation with concrete class C25. Concrete must be reinforced with fibres and flat on top.
4. Expected concrete capacity  $3,4 \text{ m}^3$ .
5. For gate installation use chemical anchors M16x300 (18 pcs.) or longer. Anchors must be minimum 80 mm over concrete surface. Minimum drilling depth 200 mm. For installation follow Fisher System rules.
6. This is suggested foundation plan. Dimensions, reinforcement, anchoring.

	Remarks			
	Designed by D.Surma	Scale 1 : 40	Format A3	Data 25.11.2021
Edited by	Height	Width	Material	Mass
Number S.003283	Drawing Foundation plan Thor 12000 L			Rev. A



Remarks:

1. All dimensions in mm.
2. Side view of foundations is from inside of property.
3. Prepare foundation with concrete class C25. Concrete must be reinforced with fibres and flat on top.
4. Expected concrete capacity  $3,4 \text{ m}^3$ .
5. For gate installation use chemical anchors M16x300 (18 pcs.) or longer. Anchors must be minimum 80 mm over concrete surface. Minimum drilling depth 200 mm. For installation follow Fisher System rules.
6. This is suggested foundation plan. Dimensions, reinforcement, anchoring.

		Remarks			
		Designed by D.Surma	Scale 1 : 40	Format A3	Data 25.11.2021
Edited by		Height	Width	Material	Mass
Number S.003283		Drawing Foundation plan Thor 12000 L			Rev. A